

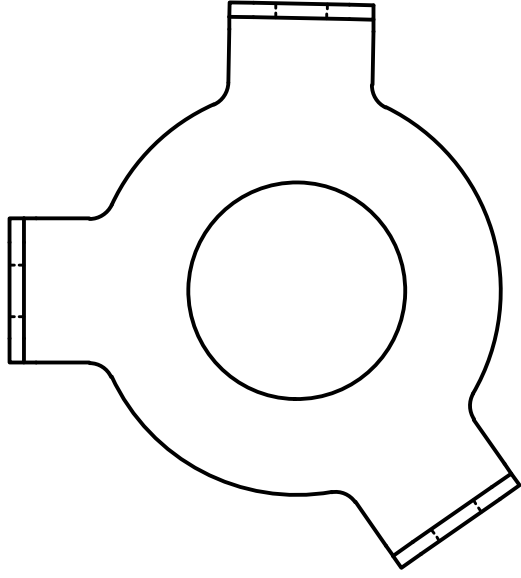
**\*\*\*VERY IMPORTANT\*\*\***

**USE THIS TEMPLATE TO IDENTIFY**

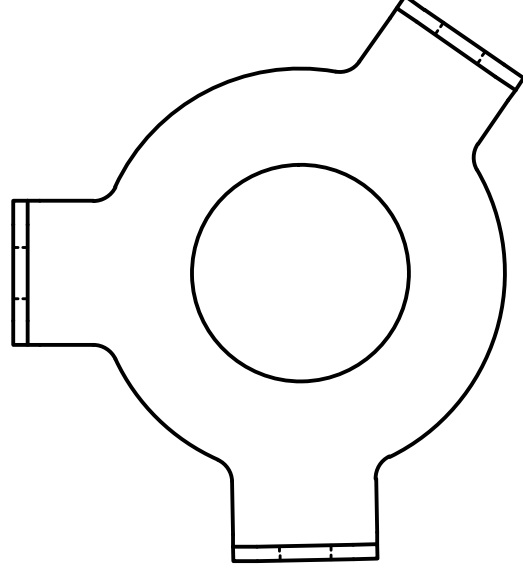
Driver's Side Level Plate from Passenger Side Level Plate

**Instructions:**

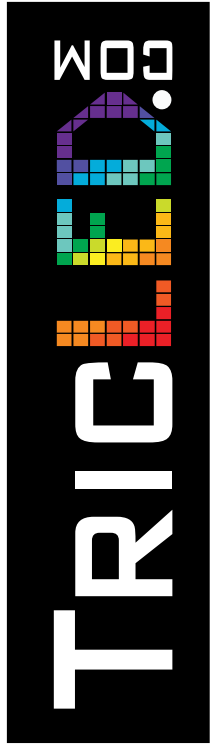
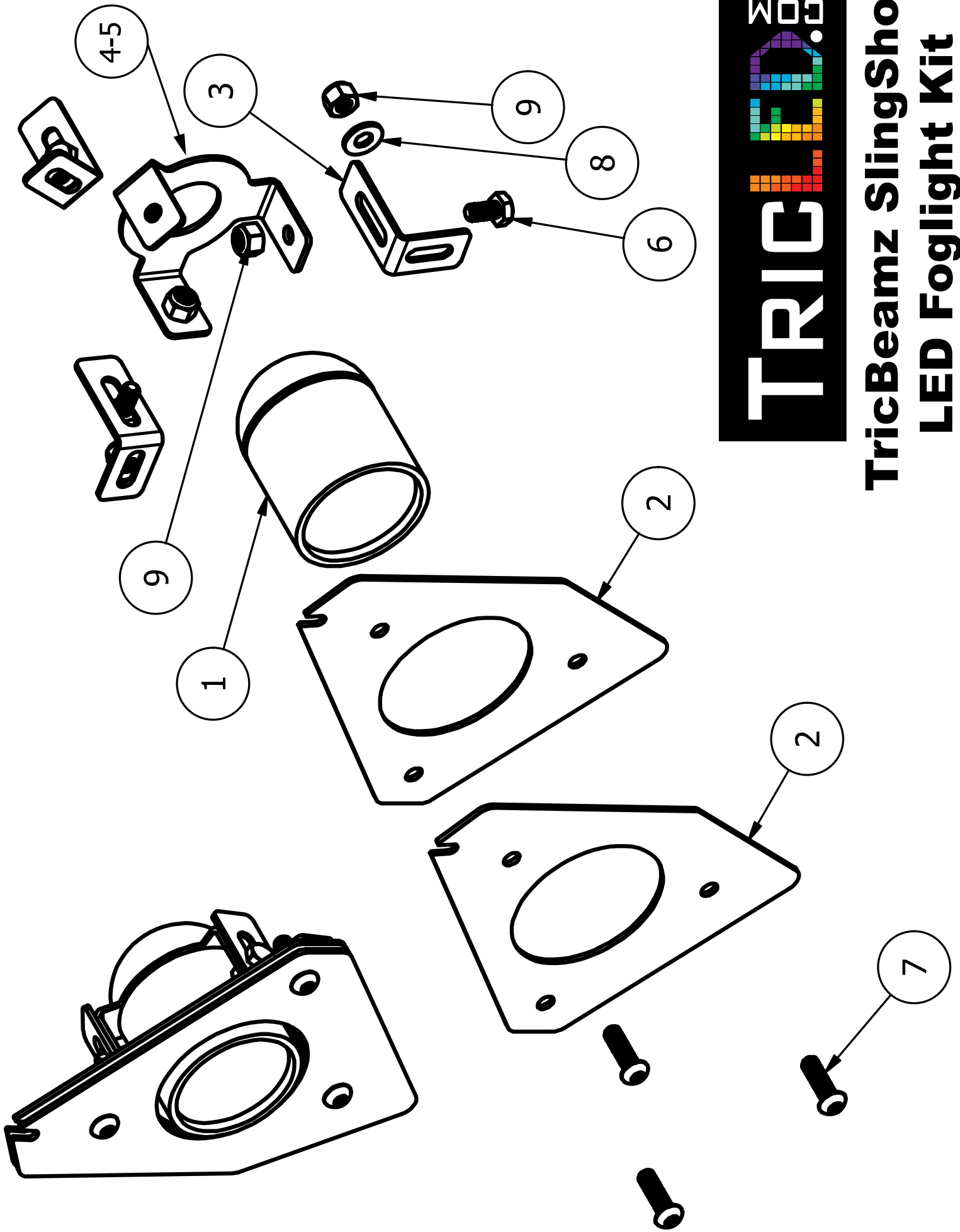
- 1) Overlay each part on this paper until it lines up perfectly**
- 2) Once lined up perfectly - Mark each part with "D" or "P" to assist during installation**



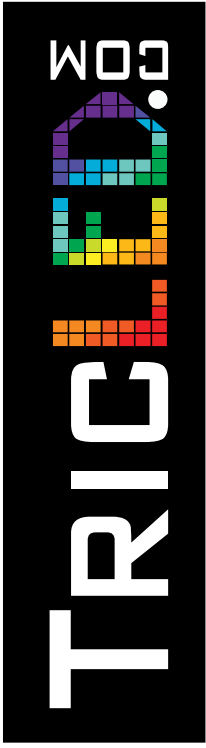
**Driver Side  
RZ210**



**Passenger Side  
RZ209**

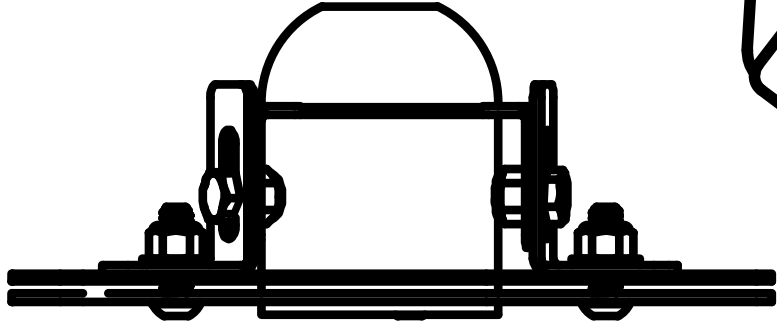


# TricBeamz SlingShot LED Foglight Kit

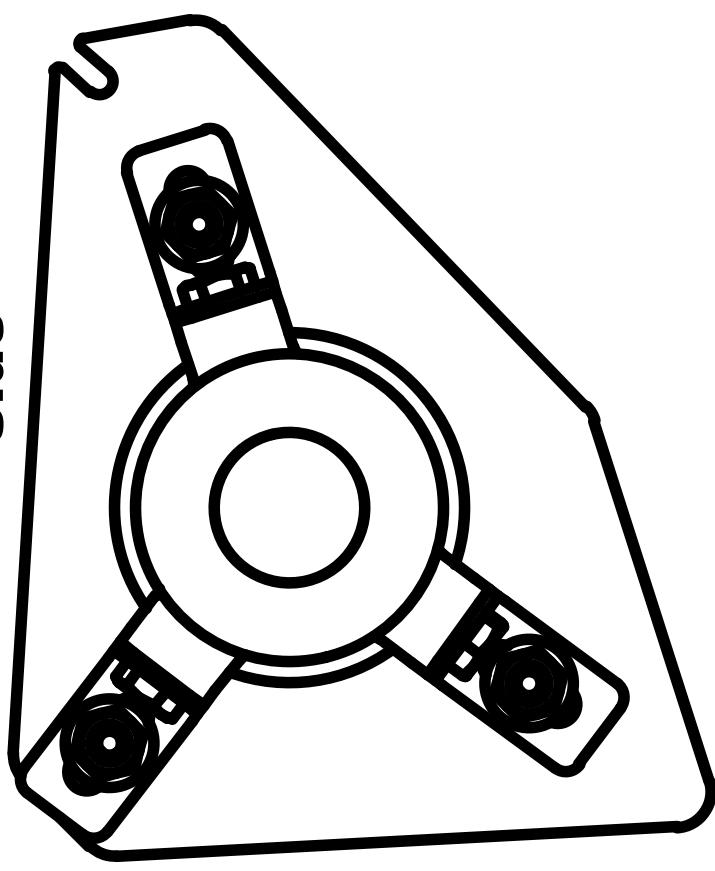


# TricBeamz SlingShot LED Foglight Kit

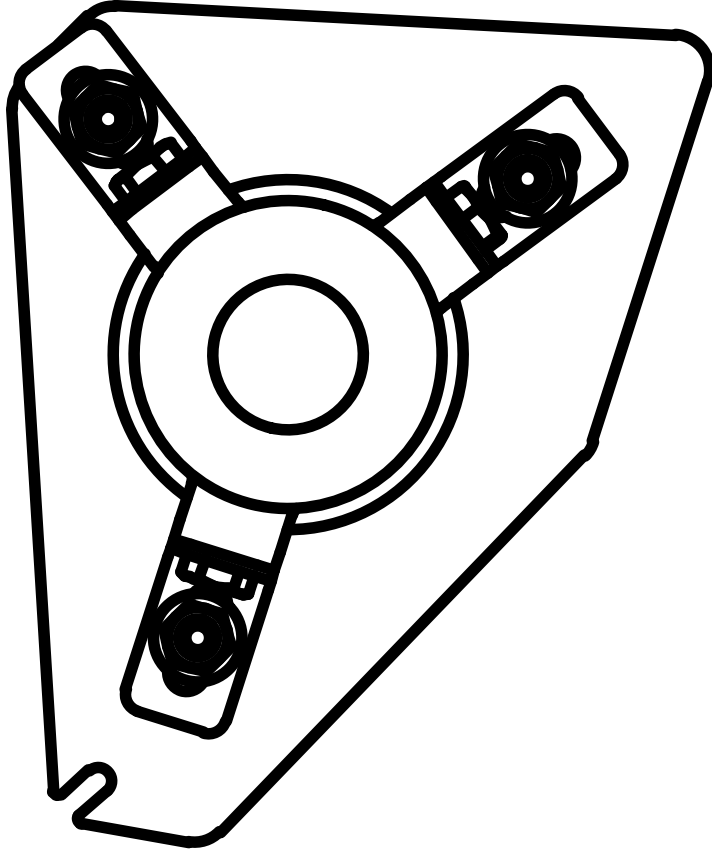
**Side  
View**



**Passenger  
Side**



**Driver's Side**





**TricLED TricBEAMZ SlingShot Foglight Kit**

**Parts List**

Item	QTY	Part Number	Description
1	2	-	LED Unit
2	4	RZ207	FACEPLATE / BACKPLATE
3	6	RZ208	"L" BRACKET
4	1	RZ209	LEVELPLATE PASSENGER SIDE
5	1	RZ210	LEVELPLATE DRIVER SIDE
6	6	RZ215	1/4-20 X 1/2" LG SS HEX HEAD SCREW
7	6	RZ216	1/4X20 X 7/8" LG BLACK SS BUTTON HEAD HEX DRIVE SCREW
8	6	RZ217	1/4 SS FLAT WASHER
9	12	RZ218	1/4-20 SS NYLON LOCK NUT

210

**NOTE - #4 and #5 have a LEFT Side and a RIGHT Side.**

**\*\*\* USE TEMPLATE PROVIDED**

**They are NOT interchangeable!!!!**