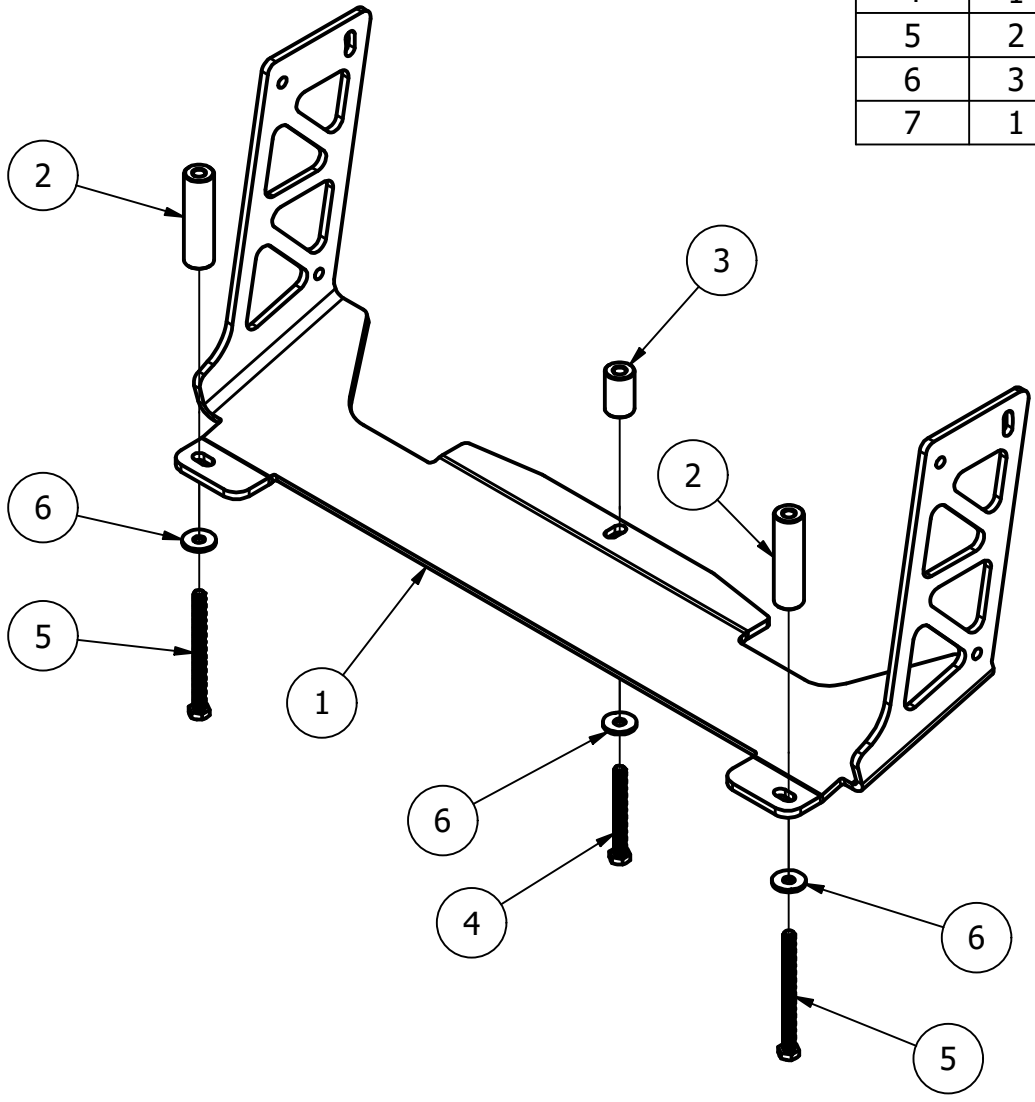


RZ186 WING PARTS LIST

ITEM	QTY	PART NUMBER	DESCRIPTION
1	1	RZ178-L	WING HALF- LEFT
2	1	RZ178-R	WING HALF - RIGHT
3	1	RZ179	TOP CONNECTING PLATE
4	2	RZ181	WING END PLATE - SMALL
5	1	RZ182-L	WING MOUNTING TAB - LEFT
6	1	RZ182-R	WING MOUNTING TAB RIGHT
7	2	RZ185	WING END PLATE - LARGE
8	2	RZ201	BRACE
9	1	RZ195	BRACE LOWER MOUNT
10	1	RZ196	BOTTOM CONNECTOR W/ BRACE MOUNT
11	22	119-0352	M6 x 1mm SS NYLOCK NUT
12	8	119-0371	M6 X 1mm - 20mm LG BHCS SS BLACK OXIDE
13	10	119-0372	M6 X 1mm - 16mm LG BHCS SS BLACK OXIDE
14	28	119-0373	M6 WASHER, SS BLACK OXIDE
15	4	119-0385	M6 X 1mm - 25mm LG BHCS SS BLACK OXIDE

RZ160 LOWER WING MOUNTING BRACKET PARTS LIST

ITEM	QTY	PART NUMBER	DESCRIPTION
1	1	RZ157	WING MOUNTING BRACKET (PATENT PENDING USA#62/838,138)
2	2	RZ162	SPACER LONG
3	1	RZ161	SPACER SHORT
4	1	119-0386	M6 x 1mm x 55mm S.S. HEX BOLT
5	2	119-0355	M6 x 1mm x 75mm S.S. HEX BOLT
6	3	119-0356	M6 SS OVERSIZED FLAT WASHER
7	1		LOCTITE THREAD LOCKER 242



**We have collaborated with TufSkinz to develop an “accent kit” for this GT3 Wing. This kit offers various options from carbon fiber to OEM matched body colors that fit seamlessly with the design of this wing.**

**\*\* Multiple options are available \*\***

**You can contact us directly to order ([sales@triced.com](mailto:sales@triced.com)) and will be available at our #1 partner SlingMods.com**

**This product was 100% designed, engineered and manufactured in the USA.**

**The design of this wing and the design of the bracket, including the location and position on the Polaris Slingshot are protected by a pending USA Patent from the United States of America Patent and Trademark Office (Patent Pending # 62/838,138) filed 04/24/2019)**

**Any attempts to copy or reproduce any parts of this item and likeness will be met with firm and aggressive legal action.**