

PRODUCT MANUAL

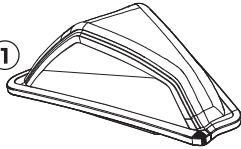
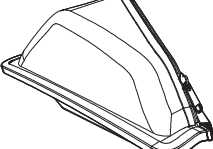

BEFORE YOU BEGIN

1. Please read the instructions carefully and verify that each item is in the list.
2. Please retain these installation instructions for further reference and parts ordering information.

IMPORTANT

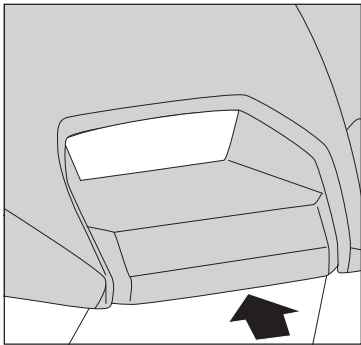
1. Please read the installation instructions carefully before you start.
2. If the vehicle is clean and free of other debris, it will be easy to install.
3. For your safety and to ensure a satisfactory installation, please complete all the installation steps in the order shown below.

PRODUCT INFORMATION

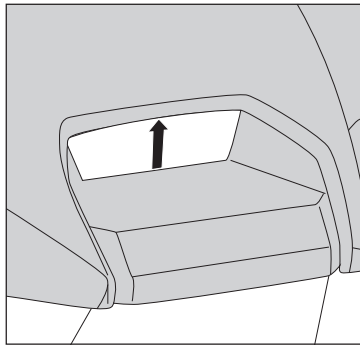
- | | | | | | | | |
|--------------------|----|---|---|---|--|---|---|
| ① Dashboard Bag-LH | x1 | ① |  | ② |  | ③ |  |
| ② Dashboard Bag-RH | x1 | | | | | | |
| ③ Plastic Push Pin | x6 | | | | | | |

INSTALLATION TIPS

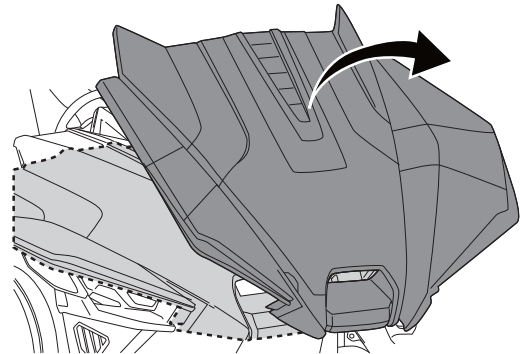
① Open Hood



1. Pull up hood release lever to disengage four hood latches.

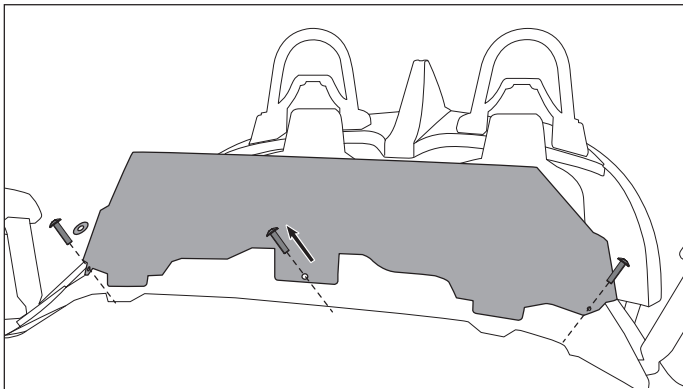


2. Use two hands to pull up on the underside of the hood, above the LED light.

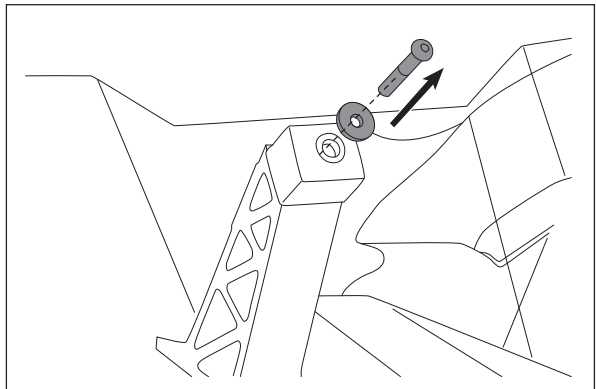


3. Lift the hood up, and rotate it to a vertical position.

② Remove Windshield

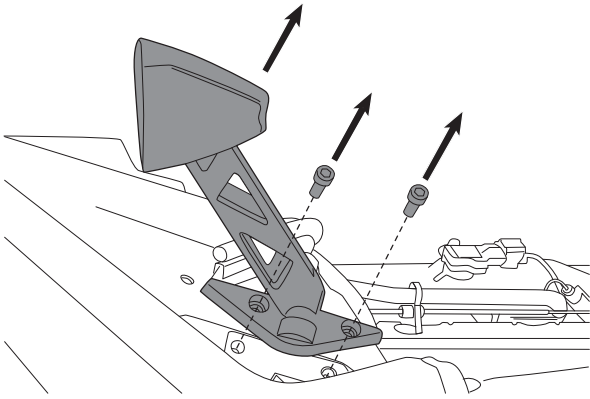


1. Remove and keep three set of hardware from base of windshield.



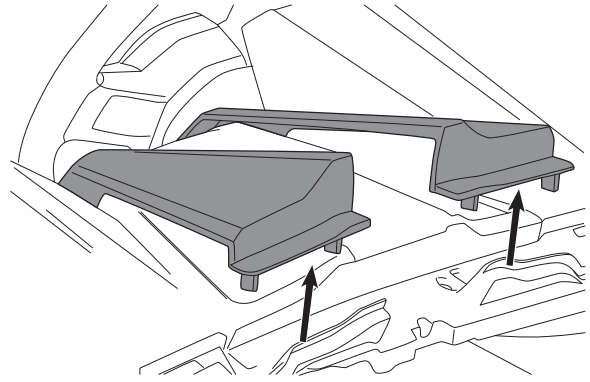
2. Remove and keep hardware from center windshield mount.
3. Remove windshield and set it aside.

3 Remove Mirrors



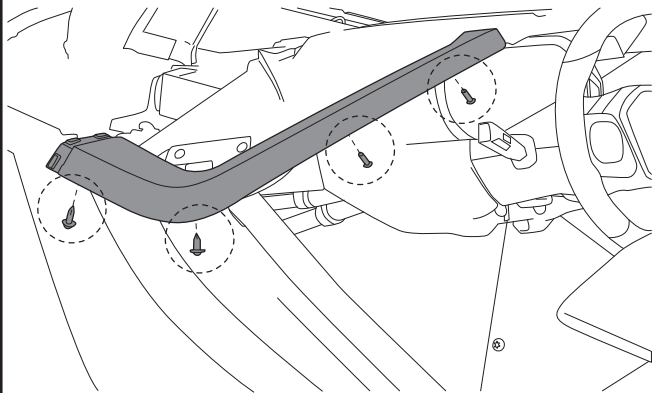
1. Remove and keep two screws mounting the mirror.
2. Remove the mirror and set it aside.
3. Repeat steps 1-2 for opposite side mirror.

4 Remove Upper Dash Painted Panels



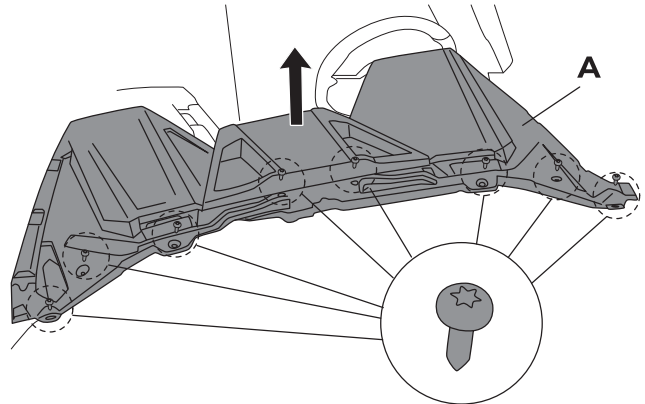
1. Remove and keep two screws mounting the mirror.
2. Remove the mirror and set it aside.
3. Repeat steps 1-2 for opposite side mirror.

5 Remove Side Trim Panels



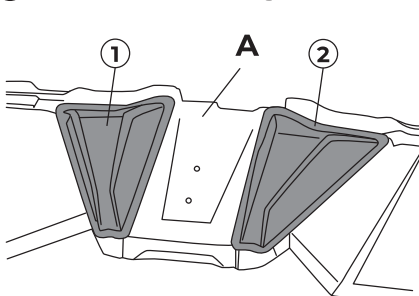
1. Remove and retain two screws and two push-pin rivets from side trim panel. Set the panel aside.
2. Repeat same step for opposite side trim panel.

6 Remove Upper Dash Panel [A]

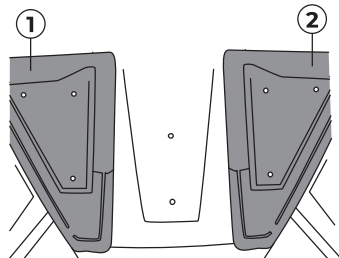


1. Remove and keep eight screws from upper dash panel [A].
2. If equipped, disconnect the dash tweeter from the main vehicle wiring harness.
3. Lift front edge of upper dash panel [A] to release clips. Remove the panel [A] set it aside.

7 Dashboard Bags Installation

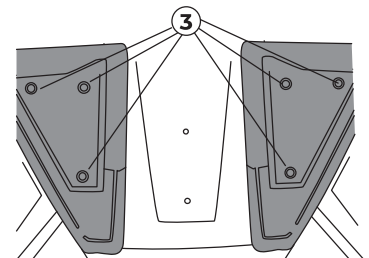


1. Place bag-LH [1] and bag-RH [2] on upper dash panel [A].



Vertical View

2. Open the bags [1][2] and mark six hole locations. Remove the bags [1][2]. Drill six 11/32 in (8.5 mm) holes on dash panel [A].



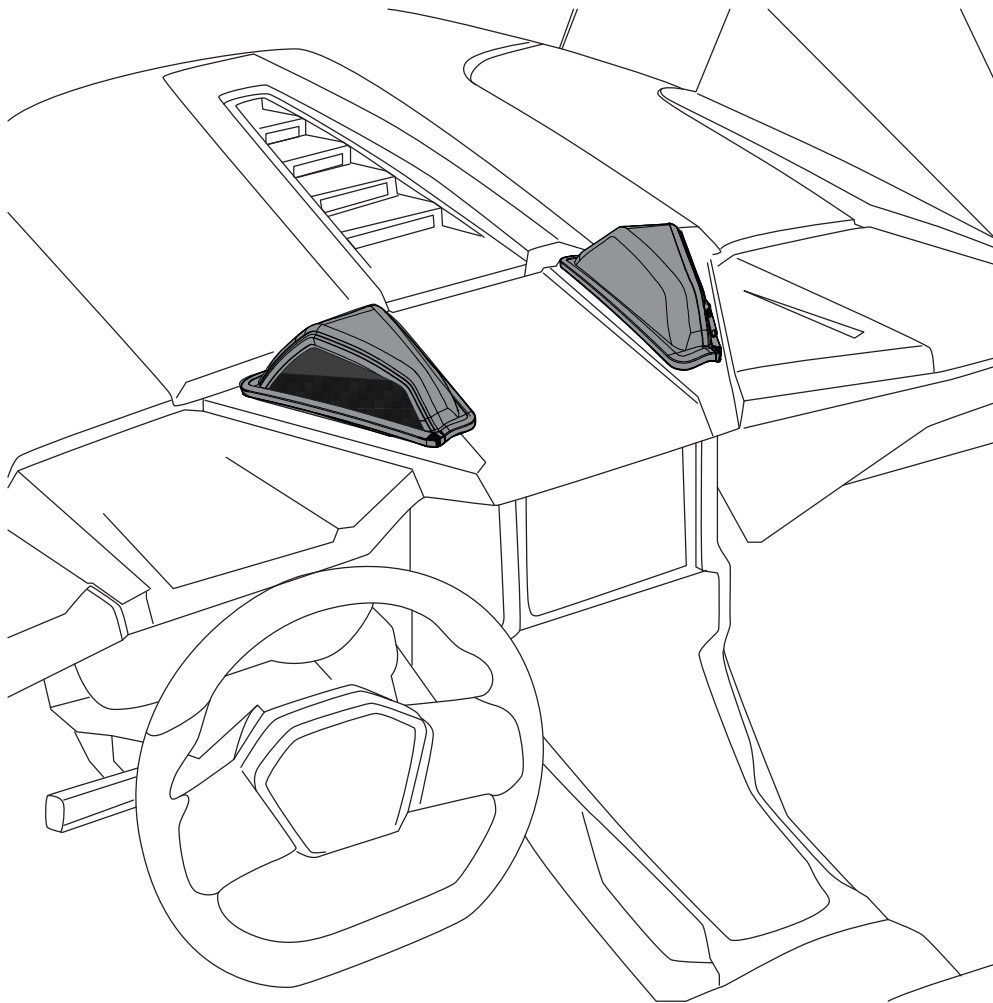
Vertical View

3. Set the bags [1][2] in place and secure them with six plastic push pins [3].

8 Repeat the previous steps in reverse order to reinstall the body components

1. If equipped, connect dash tweeter speakers to main vehicle harness.
2. Reinstall upper dash panel [A].
3. Reinstall side trim panels.
4. No need to reinstall dash painted panels.
5. Reinstall the mirrors.
6. Reinstall the windshield.
7. Close the hood.

9 Finish installation.



ATTENTION

About Clean

Clean the bags with a non-abrasive cloth and mild soap.

About Care

Open the zipper when the bag is not in use to allow any moisture inside to escape.