

Qty Description

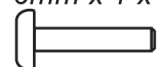
3 1/4" SS Lock Washers
[WASHER/LK/SL]




3 1/4" SS Flat Washers
[WASHER/FW/SL]

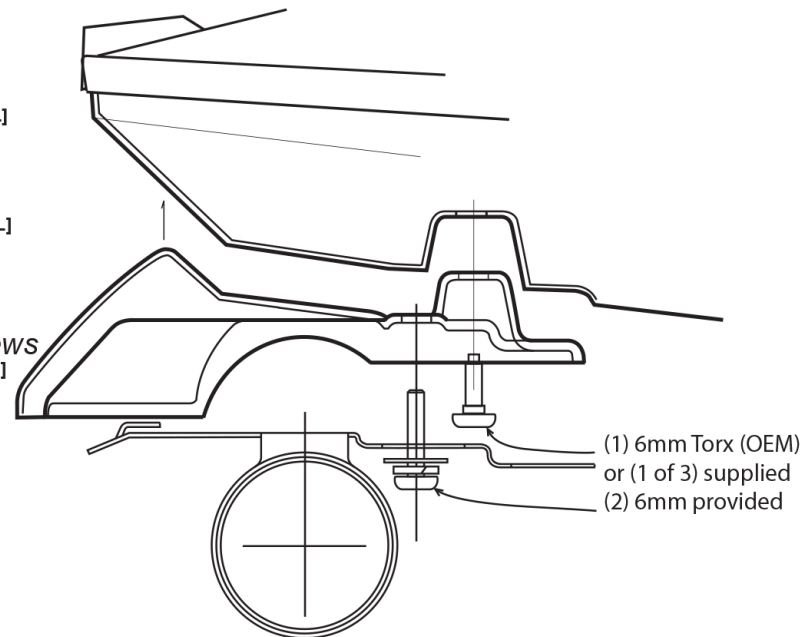


3 6mm x 1 x 25 mm screws
[BOLT/RND/MET]



1 Assembly Instructions


1 ABS Air-Foil

Remove (1) of the 6mm Torx screws that originally attached the OEM license plate bracket to the under-deck black panel of the Slingshot. This screw is (1) of (3) and the only one that is below the back-up camera and located in a deep recess. Position the Air-Foil's extended boss into the under-deck recess and attach with the same OEM screw. Align and tighten the Air-Foil, keeping uniform exposure on either side of the



deck when viewed from above. Position the OEM reflector assembly under the Air-Foil and insert (1) of the provided 6mm SS screws through (1) SS lock washer and (1) flat SS washer on each side. (as shown on the inset picture) Align the assembly, retaining uniform space between the top of each reflector with the arched opening of the Air-Foil. Tighten the screws.

Follow the Fender Installation Instructions (showing optional Air-Foil mounting) when installing the Air-Foil with a 2017 or newer Stealth Fender. Longer (6mm) bolts will replace (2) of the shorter (6mm) screws, securing both Air-Foil and Fender together.

Clean the Stealth Air-Foil with water and car washing detergents. Avoid contact with any petroleum solvents.

Packaged by	Date:
-------------	-------

Checked by	Date:
------------	-------