

Copyright © 2018 by Big Bike Parts, Inc. No part of this instruction sheet may be reproduced without the written permission of Big Bike Parts, Inc.

PART NO. 41-181A

HANDLEBAR END WEIGHTS

FITMENT: CAN-AM SPYDER, RT 2010-NEWER, F3 2015-NEWER, ST 2013-2015

8/8/2018

TOOLS NEEDED: 5MM ALLEN WRENCH

PHILLIPS SCREWDRIVER

REMOVABLE THREAD LOCK

RUBBING ALCOHOL

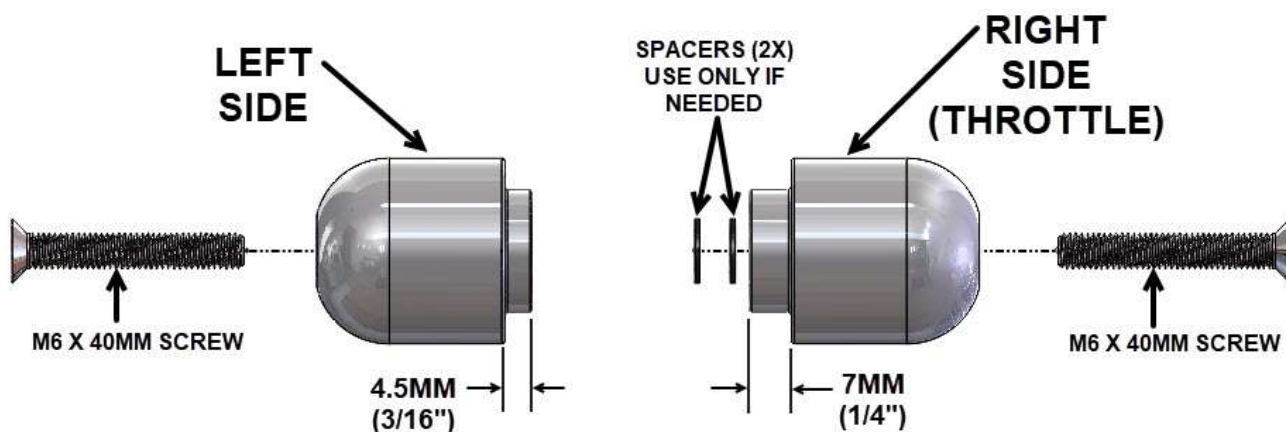
COTTON SWAB

PLEASE READ THROUGH AND UNDERSTAND THESE INSTRUCTIONS BEFORE BEGINNING.**ESTIMATED INSTALLATION TIME: 5 TO 10 MIN.****WARNING**

ALWAYS MAKE SURE THROTTLE ROTATES AND RETURNS BACK TO IDLE POSITION FREELY BEFORE OPERATING VEHICLE. FAILURE TO DO SO CAN RESULT IN INJURY

INSTALLATION:

1. USING A 5MM ALLEN WRENCH REMOVE THE OEM SCREWS AND OEM END CAPS FROM THE SPYDER. SEE FIG. 1 (THE SCREWS WILL NOT BE REUSED)
2. DIP A COTTON SWAB IN RUBBING ALCOHOL AND CLEAN ANY LOOSE DEBRIS FROM INSIDE THE SCREW HOLES ON THE ENDS OF THE HANDLEBARS. LET DRY.
3. PLACE THE TWO NEW HANDLEBAR WEIGHTS NEXT TO EACH OTHER AND USING FIG. 2 DETERMINE THE LEFT AND RIGHT (THROTTLE) WEIGHTS.
4. PLACE A DROP OF REMOVABLE THREAD LOCK NEAR THE END OF ONE OF THE M6 X 40MM SCREWS AND FEED IT THROUGH THE HOLE ON THE LEFT HANDLEBAR WEIGHT. LOOK AT THE END OF THE SCREW AND YOU SHOULD BE ABLE TO SEE THE THREAD LOCK. IF NOT REAPPLY.
5. PLACE THE HANDLEBAR WEIGHT INTO PLACE AND TIGHTEN THE SCREW USING A PHILLIPS SCREWDRIVER.
6. INSTALL RIGHT HANDLEBAR WEIGHT USING THE SAME PROCESS.
7. CHECK TO MAKE SURE THE THROTTLE TURNS FREELY. IF IT IS NOT TURNING FREELY INSTALL ONE OF THE SUPPLIED SPACERS ON THE SCREW BEFORE YOU INSTALL IT ON THE SPYDER AND TIGHTEN.
8. CHECK AGAIN TO MAKE SURE THROTTLE IS TURNING FREELY. IF NOT INSTALL THE SECOND SPACER SUPPLIED AND TIGHTEN.
9. LET THREAD LOCK DRY FOR 24 HOURS BEFORE USING THE SPYDER.

**FIG. 2**