

Copyright © 2015 by Big Bike Parts, Inc. No part of this instruction sheet may be reproduced without the written permission of Big Bike Parts, Inc.

PART NO. 41-179

FULL SIZE BRAKE PEDAL

FITMENT: CAN-AM SPYDER 2011-NEWER

12/7/2015

TOOLS NEEDED: 10MM SOCKET WRENCH

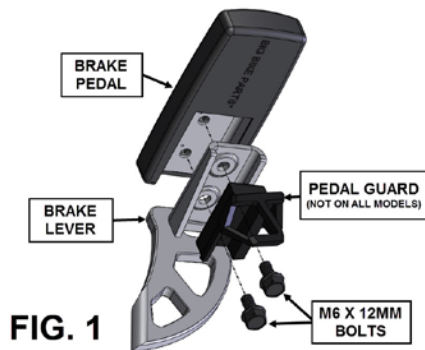
REMOVABLE THREAD LOCK

RUBBING ALCOHOL

CLEAN TOWEL

PLEASE READ THROUGH AND UNDERSTAND THESE INSTRUCTIONS BEFORE BEGINNING.**ESTIMATED INSTALLATION TIME: 10 TO 15 MIN.****INSTALLATION:**

1. USING A 10MM SOCKET WRENCH REMOVE THE TWO M6 X 12MM HEX BOLTS ON THE BOTTOM SIDE OF THE OEM BRAKE PEDAL.
2. SOME MODELS ALSO HAVE A PLASTIC PEDAL GUARD ON THE UNDER SIDE OF THE BRAKE LEVER. IF SO ALSO REMOVE THE PEDAL GUARD.
3. USING A CLEAN TOWEL AND RUBBING ALCOHOL CLEAN THE THREADS ON THE TWO M6 X 12MM LONG HEX BOLTS YOU REMOVED IN STEP 1. LET DRY.
4. PLACE A SMALL DROP OF REMOVABLE THREAD LOCK ON EACH OF THE TWO M6 X12MM LONG HEX BOLT.
5. INSTALL THE NEW BRAKE PEDAL AS SHOWN BELOW IN FIG. 1. *NOTE: SOME MODELS DO NOT HAVE A PEDAL GUARD.*



Copyright © 2015 by Big Bike Parts, Inc. No part of this instruction sheet may be reproduced without the written permission of Big Bike Parts, Inc.

PART NO. 41-179

FULL SIZE BRAKE PEDAL

FITMENT: CAN-AM SPYDER 2011-NEWER

12/7/2015

TOOLS NEEDED: 10MM SOCKET WRENCH

REMOVABLE THREAD LOCK

RUBBING ALCOHOL

CLEAN TOWEL

PLEASE READ THROUGH AND UNDERSTAND THESE INSTRUCTIONS BEFORE BEGINNING.**ESTIMATED INSTALLATION TIME: 10 TO 15 MIN.****INSTALLATION:**

1. USING A 10MM SOCKET WRENCH REMOVE THE TWO M6 X 12MM HEX BOLTS ON THE BOTTOM SIDE OF THE OEM BRAKE PEDAL.
2. SOME MODELS ALSO HAVE A PLASTIC PEDAL GUARD ON THE UNDER SIDE OF THE BRAKE LEVER. IF SO ALSO REMOVE THE PEDAL GUARD.
3. USING A CLEAN TOWEL AND RUBBING ALCOHOL CLEAN THE THREADS ON THE TWO M6 X 12MM LONG HEX BOLTS YOU REMOVED IN STEP 1. LET DRY.
4. PLACE A SMALL DROP OF REMOVABLE THREAD LOCK ON EACH OF THE TWO M6 X12MM LONG HEX BOLT.
5. INSTALL THE NEW BRAKE PEDAL AS SHOWN BELOW IN FIG. 1. *NOTE: SOME MODELS DO NOT HAVE A PEDAL GUARD.*

