

Copyright © 2013 by Big Bike Parts, Inc. No part of this instruction sheet may be reproduced without the written permission of Big Bike Parts, Inc.

PART NO. 41-155

TOUR TRUNK RACK

CAN-AM SPYDER RT/RTS/RTL 2010-NEWER

1/4/2017

<b>TOOLS NEEDED:</b>	4MM ALLEN WRENCH 5/16" (8MM) DRILL BIT	MASKING TAPE DRILL	FINE POINT PEN OR MARKER T20 TORX DRIVER	CENTER PUNCH THREAD LOCK	HAMMER CLEAN TOWEL OR RUG
<b>HARDWARE INCLUDED:</b>	4- THIN TAPERED WASHERS 4- THICK TAPERED WASHERS	8- RUBBER WASHERS 4- M6-1.0 X 30MM LONG BUTTON HEAD SCREWS			

**NOTE: THREAD LOCK COMPOUND SHOULD BE USED ON ALL HARDWARE.**

**ESTIMATED INSTALLATION TIME: 40 TO 60 MIN.**

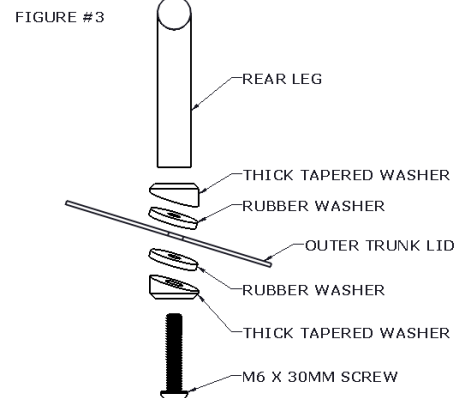
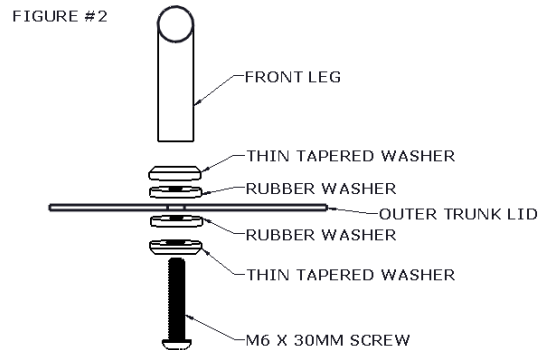
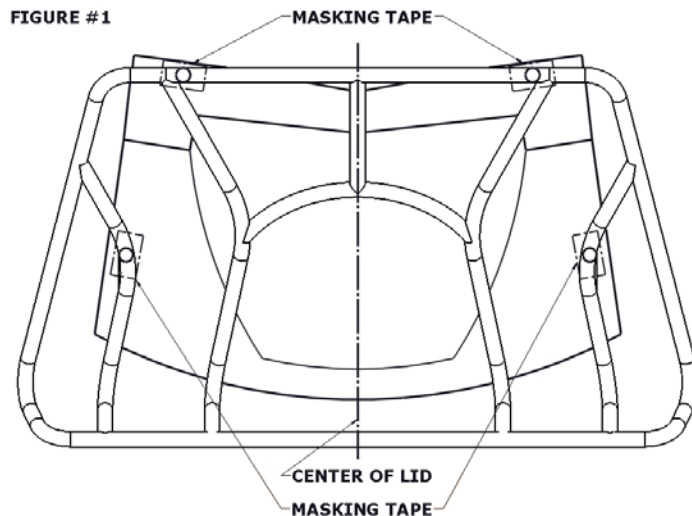
**PLEASE READ THROUGH AND UNDERSTAND THESE INSTRUCTIONS BEFORE BEGINNING.**

**INSTALLATION:**

- WITH THE RUBBER CAPS ON THE RACK LEGS, SET THE RACK ON THE TRUNK LID AND LINE THE CENTER OF THE TRUNK WITH THE CENTER OF THE RACK.  
**NOTE: IF USING RACK RISERS (BBP# 52-837) USE MASKING TAPE TO ATTACH THE RISERS TO THE RACK LEGS BEFORE YOU START. ALSO USE MASKING TAPE ON THE BOTTOM OF THE RACK RISERS INSTEAD OF THE RUBBER CAPS TO AVOID SCRATCHING THE TRUNK LID.**
- MOVE THE RACK FORWARD TO THE POSITION YOU DESIRE. MAKE SURE THE CENTER TUBE OF THE RACK IS NOT CONTACTING THE TRUNK LID.
- LIFT THE RACK SLIGHTLY AND PLACE A PIECE OF MASKING TAPE (3" - 4" LONG) UNDER EACH OF THE LEGS ON THE RACK. (SEE FIGURE #1)
- USING A FINE POINT PEN OR MARKER, OUTLINE EACH OF THE FOUR MOUNTING LEGS ON THE MASKING TAPE.
- REMOVE THE RACK AND THEN REPOSITION IT ON YOUR MARKS TO MAKE SURE IT IS IN THE POSITION THAT YOU DESIRE.
- SET THE RACK ASIDE. USING A CENTER PUNCH, MARK THE CENTERS OF THE FOUR CIRCLES YOU MARKED ON THE MASKING TAPE.
- OPEN THE TRUNK LID. USING A T20 TORX DRIVER REMOVE THE 6 SCREWS THAT HOLD THE OUTER TRUNK LID TO THE INNER TRUNK LID.
- CAREFULLY LIFT THE OUTER TRUNK LID OFF THE BACK AND SET IT ON A CLEAN TOWEL OR RUG.
- USING A DRILL AND A 5/16" (8MM) DRILL BIT, DRILL HOLES THROUGH THE FOUR LOCATIONS YOU MARKED WITH THE CENTER PUNCH. REMOVE ANY SHARP EDGES ON THE INSIDE AND THE OUTSIDE OF THE HOLES. *TIP: IF YOU HAVE A STEP DRILL BIT THEY WORK VERY WELL FOR DRILLING PLASTIC.*
- REMOVE THE MASKING TAPE AND CLEAN OFF ANY LEFT OVER GLUE FROM THE TAPE.
- ASSEMBLE THE RACK TO THE TRUNK LID AS SHOWN IN FIGURES #2 AND #3. USE THREAD LOCK TO SECURE THE SCREWS TO THE RACK.
- BE CAREFUL NOT TO OVER TIGHTEN THE SCREW. YOU WILL NEED TO ROTATE THE TAPERED WASHER TO MATCH THE ANGLE ON THE TRUNK LID AS YOU TIGHTEN THE 4 SCREWS.
- SET OUTER TRUNK LID BACK ON TO THE INNER TRUNK LID AND INSTALL THE 6 SCREWS YOU REMOVED IN STEP 7. BE CAREFUL NOT TO OVER TIGHTEN.

**IMPORTANT:**

- DO NOT OVER TIGHTEN THE 4 MOUNTING SCREWS. OVER TIGHTENING OF THE SCREWS MAY CAUSE DAMAGE TO THE OUTER TRUNK LID.**
- THIS RACK WAS DESIGNED TO SAFELY CARRY A WEIGHT OF TEN POUNDS, OVERLOADING THE RACK MAY CAUSE DAMAGE TO THE TRUNK LID.**



scan code  
with your  
smartphone  
to view video